

DEVIreg™ 850



The DEVIreg™ 850 is an advanced thermostat with LED display used for outdoor ground or roof applications. The sensors provide information about both moisture level and temperature, resulting in an optimal control of the heating system.

The system can be set up in three ways; as a single system for roof or ground (1 to 4 sensors), as a dual system for roof or ground (2 - 4 sensors) or as a combination system for roof and ground (2 - 4 sensors).

In the dual / combination systems it is possible to prioritize between the zones, e.g. if only a limited power output is available.

Benefits:

- Single, combination or dual zones
- Up to 4 sensors
- Moisture and temperature sensing
- Self diagnosing programme
- Safety level adjustment
- Alarm function

Standard compliance:

- EN/IEC 60730-1 (general)
- EN/IEC 60730-2-9 (thermostat)

Approvals:



Type	Value
Operation voltage	220 - 240 V, 50/60 Hz
Standby power consumption	max. 0,93 W
Relay:	
Resistive load	Max 15 A (3450 W) @ 230 V
Inductive load	Max. 1 A, Cos Φ = 0,3
Sensing unit	DEVIbus™ connected moisture sensor(s)
Hysteresis	± 0,2 °C
Ambient temperature	-10 °C to +50 °C
Temperature range	-10 °C to +50 °C
Cable specification max	1 x 4 mm ² or 2 x 2,5 mm ²
Ball pressure test temperature	75 °C
Pollution degree	2 (domestic use)
Controller type	1 C
Storage temperature	-20 °C to +65 °C
IP class	IP 20
Protection class	Class II - <input type="checkbox"/>
Dimensions (H/W/D)	105 mm x 23.5 mm x 53 mm
Weight	720 g

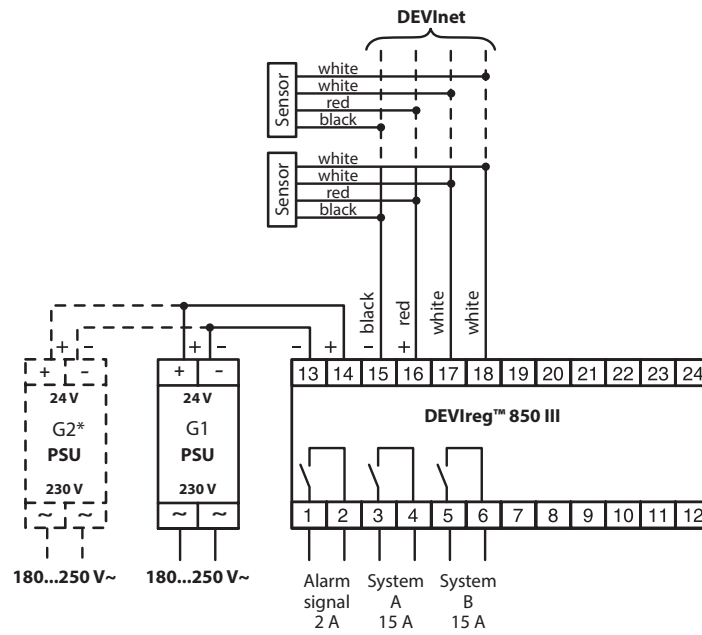
Types

Item no.	Product name	Type	EAN no.
140F1084	DEVIreg™ 850	RU/UA without sensors (Cyrilic)	5703466210833
140F1085	DEVIreg™ 850	Without sensors	5703466209264

Accessories

Item no.	Product name	Type	Power	Size, mm	Operation temperature	EAN no.
140F1086	Roof sensor	For DEVIreg™ 850, cable - 15 m	8 W	15 x 24 x 216	-50...+70 °C	5703466209271
140F1087	Ground sensor, 2 pcs	For DEVIreg™ 850, cable - 15 m	13 W	Ø 93 x 98	-30...+70 °C	5703466209288
140F1088	Ground sensor	For DEVIreg™ 850, cable - 15 m	13 W	Ø 93 x 98	-30...+70 °C	5703466209714
R5722103	Power Supply Unit	DC-PSU, 24V/24W, DIN-rail	24 W	53 x 86 x 73	-10...+40 °C	5703466209721

Connection scheme

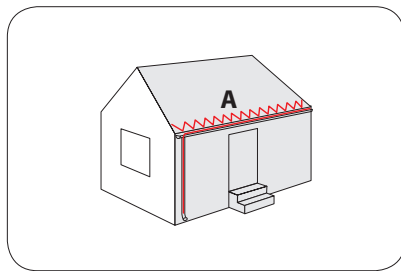


* Additional PSU, if number of sensors is 3 or 4.

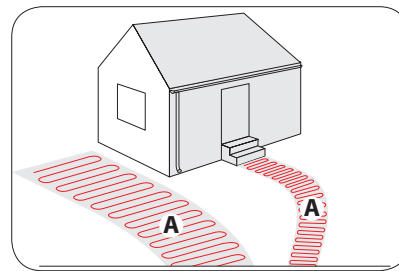
System configurations

Zone support saves energy

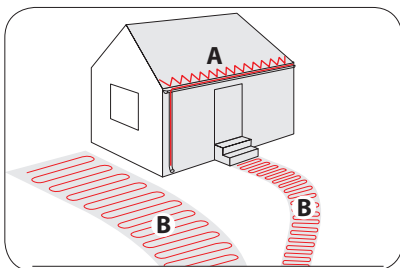
DEVIreg™ 850 lets you divide your area in to 2 zones, e.g. a North and South side. In this way it is possible to save energy, when the South side is free of ice and snow faster because of the heat from the sun.



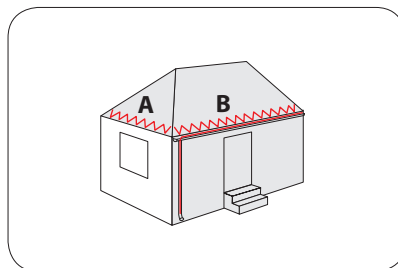
Single zone system for roofs
(system A)



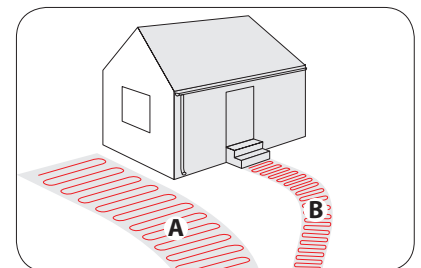
Single zone system for ground
(system A)



Combined system -
one zone for roof (system A),
one zone for ground (system B)



Two zone system for roofs
(systems A and B)



Two zone system for ground
(systems A and B)