



## DEVIreg™ 530, DEVIreg™ 531, DEVIreg™ 532, DEVIreg™ 528, DEVIreg™ 530M

**DEVIreg™ 528/530/530M/531/532** 532 is a line of simple electronic thermostats with a 2-pole switch and for flush-mounted fixing. The thermostats are used to control indoor floor heating systems.

**DEVIreg™ 530** is a 15 Amps thermostat with a wire (floor) sensor, used to control Comfort Floor Heating systems. The thermostat has a dial for adjusting the temperature setting with a numeric scale from ❄️ to 6 (meaning from 5 °C to 45 °C and each step corresponds to approx. 8 °C).

**DEVIreg™ 531** is a 15 Amps thermostat with a built-in air (room) sensor, used to control Direct Floor Heating systems. It has a dial for adjusting the temperature setting with a degree scale from ❄️ to 35 °C (meaning from 5 °C to 35 °C).

**DEVIreg™ 532** is a 15 Amps thermostat with a built-in air (room) sensor to control the room temperature and an additional floor (wire) sensor to limit the maximum floor temperature. The thermostat is used to control Direct Heating via Floor systems with limitation of maximum floor temperature in wooden floors and other heat sensitive floors. It has a dial for adjusting the room temperature, with a degree scale from ❄️ to 35 °C (meaning from 5 °C to 35 °C). Adjusting of the maximum floor temperature is provided by potentiometer placed under front cover (default 35 °C).

**DEVIreg™ 528** is a 10 Amps thermostat with a floor (wire) sensor to measure and control the desired floor temperature. The thermostat has a dial for adjusting the temperature setting with a scale from ❄️ to 6 (from 5 °C to 45 °C).

**DEVIreg™ 530M** is a 15 Amps thermostat with max. floor temperature 35 °C and a 2-pole switch to be installed directly on the wall, using a floor(wire) sensor to measure and control the desired floor temperature (max. 35 °C). The thermostat has a dial for adjusting the temperature setting with a scale from ❄️ to 6 (from 5 °C to 35 °C).

The thermostats have a LED indicator showing standby (green light) and heating (red light) periods. Furthermore, they have a wire sensor failure monitoring - flashing green light - and switch off the heating, if the sensor is disconnected or short-circuited.

### Benefits:


- 2-pole safety breaker
- Low standby consumption
- Sensor failure monitoring
- LED indication for fault
- Frost protection

### Standard compliance:

- EN/IEC 60730-1 (general)
- EN/IEC 60730-2-9 (thermostat)

### Approvals:



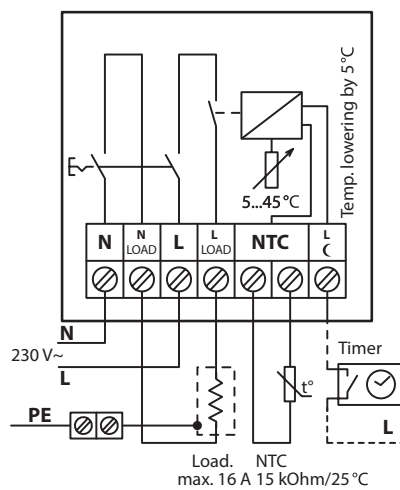
| Type  | Value  |
|---|--|
| Operation voltage   | 220 - 240 V, 50/60 Hz  |
| Standby power consumption                                 | Max. 0,25 W  |
| Resistive load: DEVIreg™530/ 531/532/530M<br>DEVIreg™ 528 | Max 15 A (3450 W) @ 230 V<br>Max 10 A (2300 W) @ 230 V   |
| Inductive load  | Max. 1 A, cos φ = 0,3  |
| Hysteresis  | ± 0,4 °C   |
| Sensing unit  | NTC 15 kOhm at 25 °C   |
| Ambient temperature                                       | -10 °C to +30 °C   |
| Frost protection  | 5 °C - ❄️  |
| Cable specification max                                   | 1 x 4 mm <sup>2</sup> or 2 x 2,5 mm <sup>2</sup>   |
| Ball pressure test temperature                            | 75 °C  |
| Pollution degree  | 2 (domestic use)   |
| Controller type   | 1 C  |
| Storage temperature                                       | -20 °C to +65 °C   |
| IP class  | IP 31  |
| Protection class  | Class II -  |
| Dimensions (H/W/D)  | 85 x 85 x 36 mm  |
| Weight  | 90 g   |

## Types

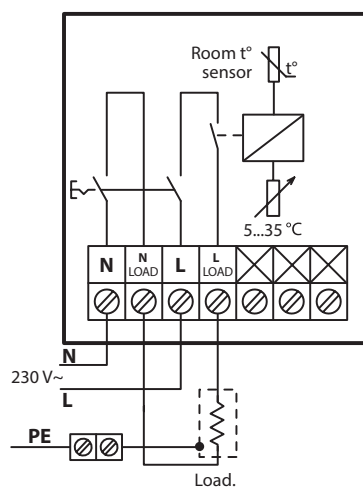
| Item no. | Product name  | Frame              | Temperature range   | Sensor type   | Marking | EAN no.       |
|----------|---------------|--------------------|---|---|---------|---------------|
| 140F1030 | DEVIreg™ 530  | ELKO               | 5-45 °C   | Wire sensor, 3 m, NTC 15 kOhm at 25 °C                            | D530    | 5703466208991 |
| 140F1031 | DEVIreg™ 530  | ELJO               | 5-45 °C   | Wire sensor, 3 m, NTC 15 kOhm at 25 °C                            | D530    | 5703466209004 |
| 140F1032 | DEVIreg™ 530  | JUSSI              | 5-45 °C   | Wire sensor, 3 m, NTC 15 kOhm at 25 °C                            | D530    | 5703466209011 |
| 19150352 | DEVIreg™ 530  | 10 pcs. pack JUSSI | 5-45 °C   | Wire sensor, (3 m, NTC 15 kOhm at 25 °C)                          | D530    | 5703466152829 |
| 19150354 | DEVIreg™ 530  | 10 pcs. pack ELKO  | 5-45 °C   | Wire sensor, (3 m, NTC 15 kOhm at 25 °C)                          | D530    | 5703466159248 |
| 140F1034 | DEVIreg™ 531  | ELKO               | 5-35 °C   | Built-in room sensor  | D531    | 5703466209035 |
| 140F1036 | DEVIreg™ 531  | JUSSI              | 5-35 °C   | Built-in room sensor  | D531    | 5703466209059 |
| 140F1037 | DEVIreg™ 532  | ELKO               | 5-35 °C room temperature;<br>20-50 °C floor temperature limiter (default 35 °C) | Built-in room sensor and wire sensor, (3 m, NTC 15 kOhm at 25 °C) | D532    | 5703466209066 |
| 140F1039 | DEVIreg™ 532  | JUSSI              | 5-35 °C room temperature;<br>20-50 °C floor temperature limiter (default 35 °C) | Built-in room sensor and wire sensor, (3 m, NTC 15 kOhm at 25 °C) | D532    | 5703466209080 |
| 140F1042 | DEVIreg™ 528  | JUSSI              | 5-45 °C   | Wire sensor, 3 m, NTC 15 kOhm at 25 °C                            | D528    | 5703466208991 |
| 140F1043 | DEVIreg™ 528  | ELKO               | 5-45 °C   | Wire sensor, 3 m, NTC 15 kOhm at 25 °C                            | D528    | 5703466209004 |
| 19150350 | DEVIreg™ 528  | 10 pcs. pack JUSSI | 5-45 °C   | Wire sensor, (3 m, NTC 15 kOhm at 25 °C)                          | D528    | 5703466209011 |
| 140F1101 | DEVIreg™ 530M | ELKO               | 15-35 °C  | Wire sensor, 3 m, NTC 15 kOhm at 25 °C                            | D530M   | 5703466210406 |

## Connection schemes

DEVIreg™ 530



DEVIreg™ 531



DEVIreg™ 532

